

Description : REPOWER BOX - OPTION 01

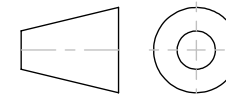
Code : AL4425

Scale : 1:2

SHEET 1 OF 2

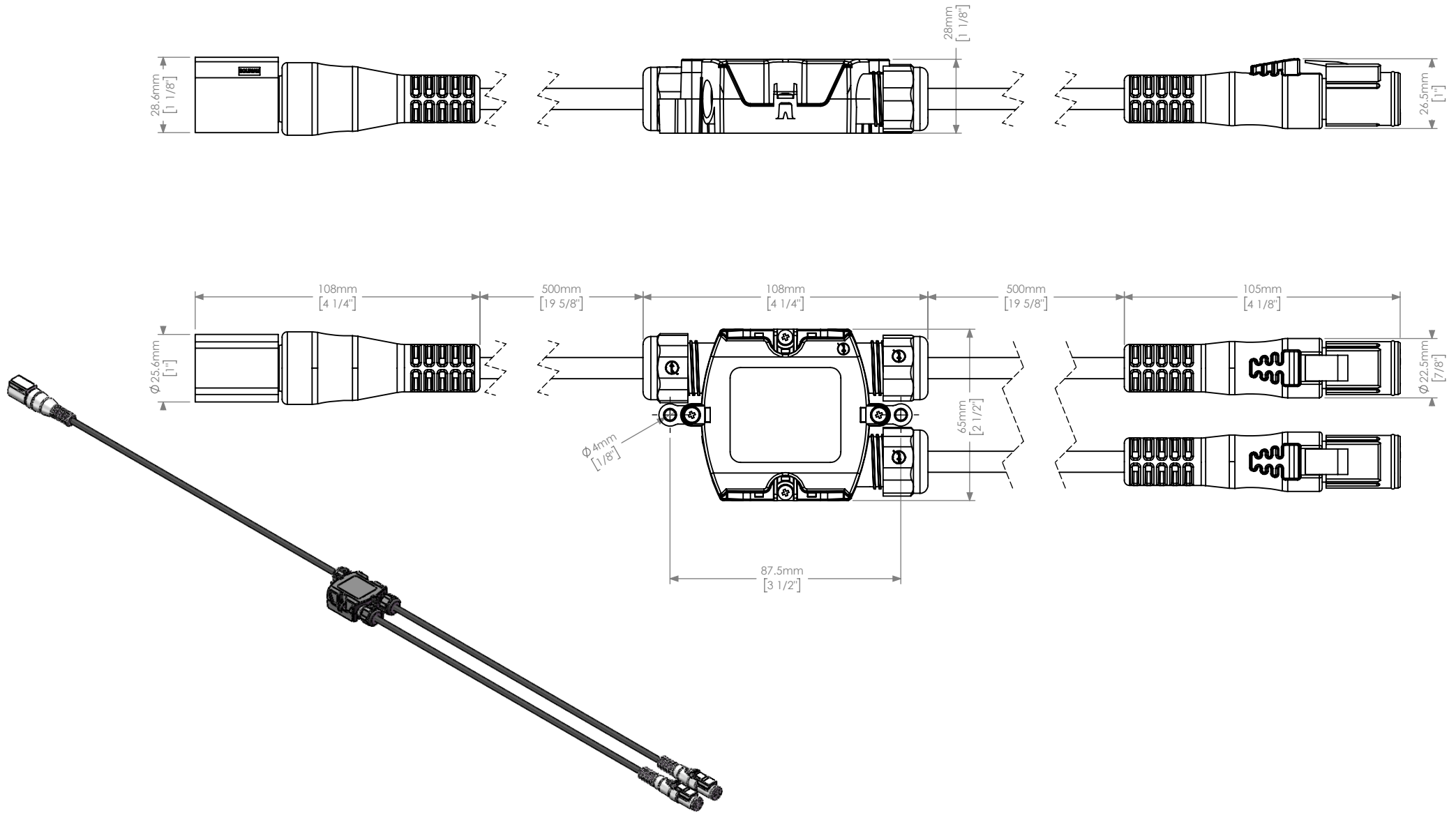
Revision : 02

DIMENSIONS ARE IN MILLIMETERS [BRACKETED DIMENSIONS ARE IN INCHES]



GRIVEN 

<http://www.griven.com>



Description : REPOWER BOX - OPTION 02

Code : AL4425

Scale : 1:2

SHEET 2 OF 2

Revision : 02

DIMENSIONS ARE IN MILLIMETERS [BRACKETED DIMENSIONS ARE IN INCHES]

